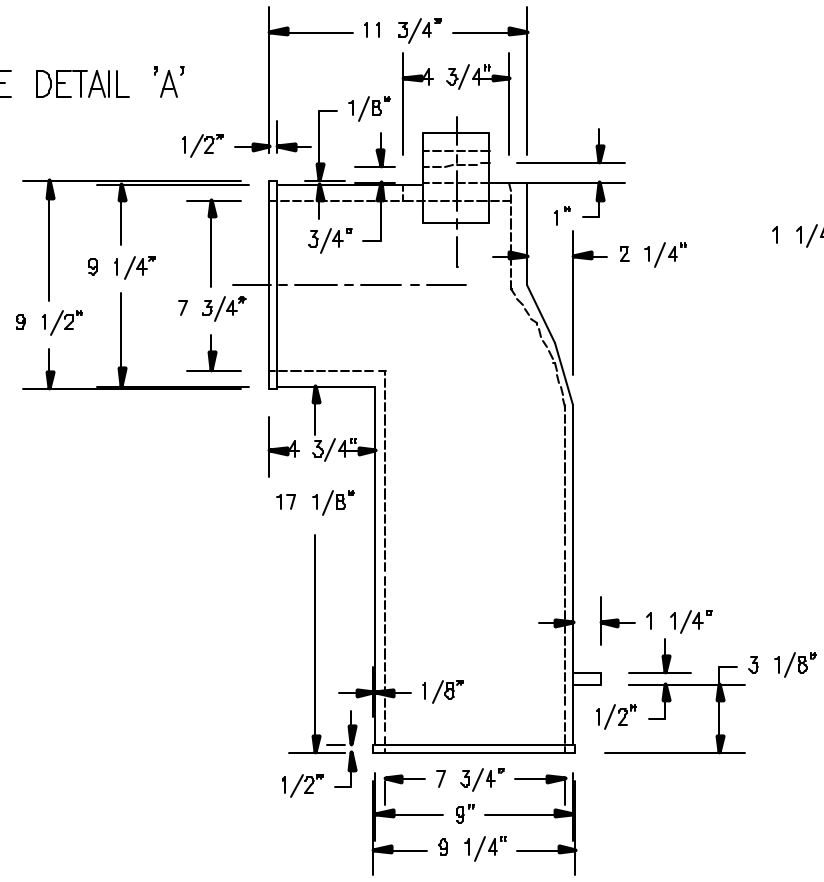
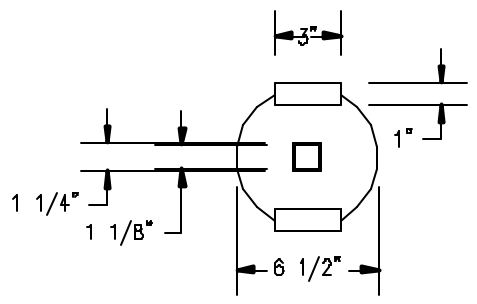


FRONT VIEW

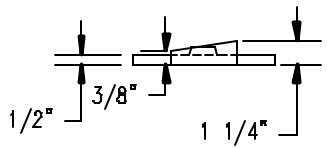
SEE DETAIL 'A'



RIGHT SIDE VIEW

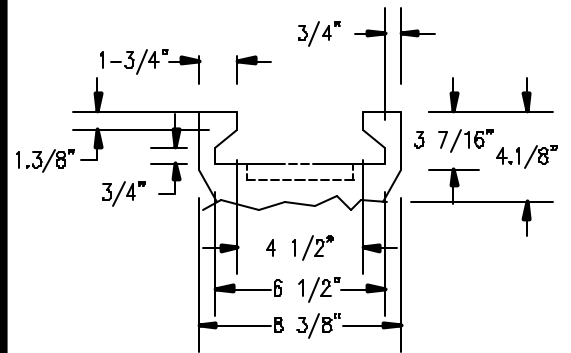


COVER

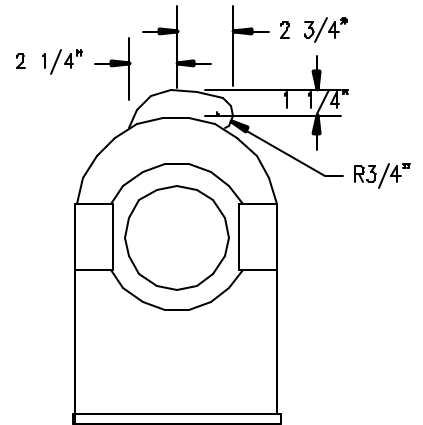


NOTES:

- 1.) MATERIAL SHALL BE GRAY CAST IRON CONFORMING TO A.S.T.M. A48 (LATEST REVISION) CLASS 30B.



DETAIL 'A'



TOP VIEW FOR CLARITY

THIS DOCUMENT IS THE PROPRIETARY PROPERTY OF SYRACUSE CASTINGS. IT HAS BEEN FURNISHED UPON THE CONDITION THAT IT SHALL NOT BE RELEASED, DUPLICATED, USED, OR DISCLOSED IN WHOLE OR IN PART FOR ANY PURPOSE WITHOUT THE EXPRESS WRITTEN PERMISSION OF SYRACUSE CASTINGS AND SHALL BE CONSIDERED CONFIDENTIAL INFORMATION.

Pattern 9370 Cast Iron
Gooseneck Trap for 8" Pipe

DRAWING # 93705088

Drawn By: TJM	DATE: 7/30/09	Revised By:	Revised:
---------------	---------------	-------------	----------

Syracuse Castings P.O. Box 1821
6177 South Bay Rd.
Cicero, N.Y. 13039
Better By Design

Phone # 315-699-2601 Fax # 315-699-2982 www.syracast.com