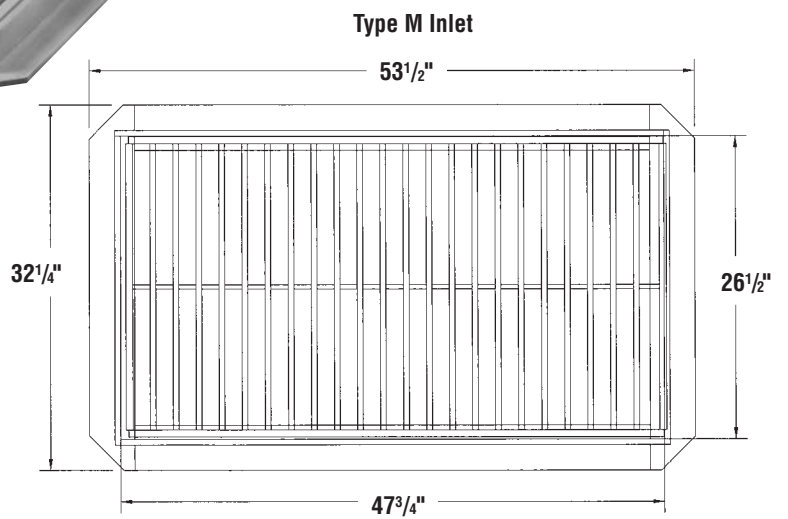




State of Pennsylvania Department of Transportation
Inlet Frame & Grate
Approved for Bulletin 15



Type M



Type C

