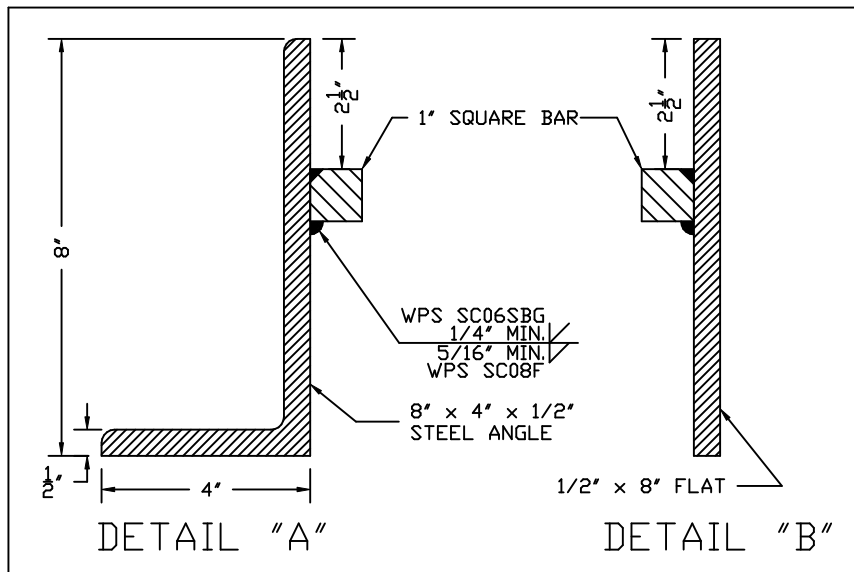


NOTES:

- 1.) MATERIAL SHALL BE HOT ROLLED STEEL CONFORMING TO A.S.T.M. A709 GRADE 36 (A36).
- 2.) ALL WELDING SHALL BE IN CONFORMANCE WITH THE REQUIREMENTS OF PUBLICATION 408, SECTION 1105.03(m).
- 3.) COAT FRAME WITH AN APPROVED BITUMINOUS PAINT, IN ACCORDANCE WITH PUBLICATION 408, SECTION 605.2(f).
- 4.) AS AN ALTERNATE TO BITUMINOUS PAINT, GALVANIZE FRAME IN ACCORDANCE WITH PUBLICATION 408, SECTION 1105.02(s).



THIS DOCUMENT IS THE PROPRIETARY PROPERTY OF SYRACUSE CASTINGS. IT HAS BEEN FURNISHED UPON THE CONDITION THAT IT SHALL NOT BE RELEASED, DUPLICATED, USED, OR DISCLOSED IN WHOLE OR IN PART FOR ANY PURPOSE WITHOUT THE EXPRESS WRITTEN PERMISSION OF SYRACUSE CASTINGS AND SHALL BE CONSIDERED CONFIDENTIAL INFORMATION.

PENNSYLVANIA DOT  
TYPE C INLET FRAME (ALTERNATE)  
PER RC-45M SHEET 14

DRAWING # 072100-S

FILE # PA-C-ALTERNATE

Drawn By: ARO

DATE: 01/28/10

Revised By: ARO

Revised: 08/06/10



**Syracuse Castings**  
Better By Design

P.O. Box 1821  
6177 South Bay Rd.  
Cicero, N.Y. 13039

Phone # 315-699-2601 Fax # 315-699-2982 www.syracast.com