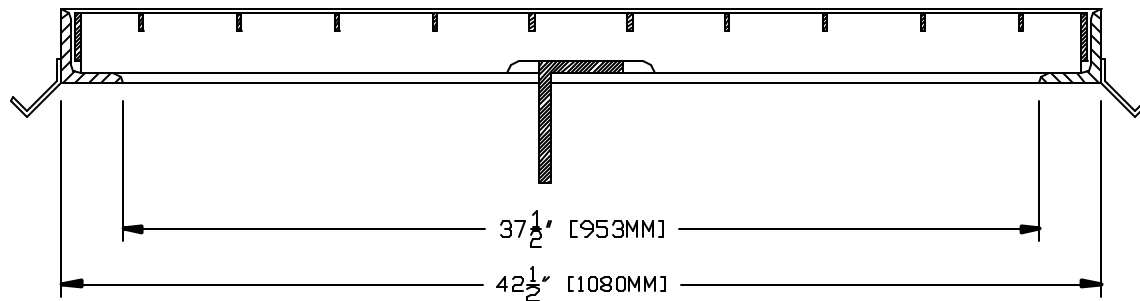


SECTION B - B

NOTES:

- 1.) FRAME MATERIAL SHALL BE HOT ROLLED STEEL.
- 2.) COMPLETE UNIT SHALL BE HOT DIP GALVANIZED PER A.S.T.M. 123 AFTER FABRICATION.
- 3.) GRATES ARE DESIGNED FOR AASHTO H-20 WHEEL LOADS.
- 4.) EACH UNIT SHALL BE FABRICATED PER N.Y.S. STANDARD SHEETS.



SECTION A - A

THIS DOCUMENT IS THE PROPRIETARY PROPERTY OF SYRACUSE CASTINGS. IT HAS BEEN FURNISHED UPON THE CONDITION THAT IT SHALL NOT BE RELEASED, DUPLICATED, USED, OR DISCLOSED IN WHOLE OR IN PART FOR ANY PURPOSE WITHOUT THE EXPRESS WRITTEN PERMISSION OF SYRACUSE CASTINGS AND SHALL BE CONSIDERED CONFIDENTIAL INFORMATION.

NYS DOT #4 Galvanized Steel
Rectangular Frame & Grate

DRAWING # #4F-#4 655-6

Drawn By: TJM	DATE: 8/5/09	Revised By:	Revised:
---------------	--------------	-------------	----------

SC **Syracuse Castings** *Better By Design*
 P.O. Box 1821
 6177 South Bay Rd.
 Cicero, N.Y. 13039
 Phone # 315-699-2601 Fax # 315-699-2982 www.syracast.com