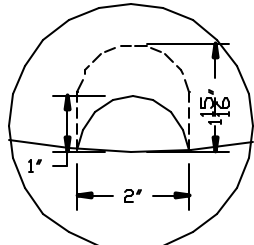


NOTES:

- 1.) MATERIAL SHALL BE GRAY CAST IRON CONFORMING TO A.S.T.M. A48 (LATEST REVISION) CLASS 30B.
- 2.) UNITS DESIGNED HEAVY DUTY FOR A.A.S.H.T.O. HS20-44 WHEEL LOADS.
- 3.) EACH FRAME AND COVER SHALL HAVE MACHINED HORIZONTAL BEARING SURFACES.

NON-PENETRATING PICKHOLE (SEE DETAIL)

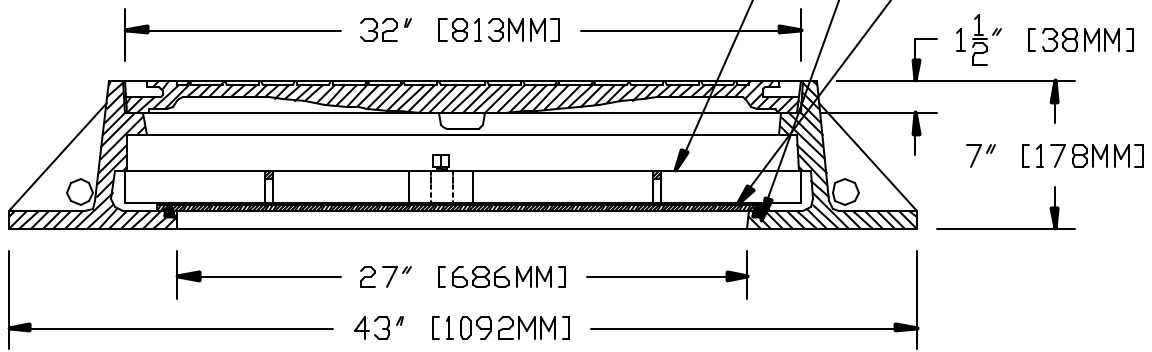


NON-PENETRATING PICKHOLE DETAIL
PARABOLIC COVER
PATENT # 5,911,537

#6553LB LOCK BAR

GASKET

#1540060ST
INNER COVER



SECTION A - A

THIS DOCUMENT IS THE PROPRIETARY PROPERTY OF SYRACUSE CASTINGS. IT HAS BEEN FURNISHED UNDER THE CONDITION THAT IT SHALL NOT BE RELEASED, DUPLICATED, USED, OR DISCLOSED IN WHOLE OR IN PART FOR ANY PURPOSE WITHOUT THE EXPRESS WRITTEN PERMISSION OF SYRACUSE CASTINGS AND SHALL BE CONSIDERED CONFIDENTIAL INFORMATION.

Pattern 6553 Watertight Cast Iron
Frame, Cover, Inner Cover & Lock Bar

DRAWING # 6553450C-1016500PC-1540060ST-6553LB

Drawn By: TJM	DATE: 7/27/09	Revised By:	Revised:
---------------	---------------	-------------	----------

Syracuse Castings
Better By Design

P.O. Box 1821
6177 South Bay Rd.
Cicero, N.Y. 13039

Phone # 315-699-2601 Fax # 315-699-2982 www.syracast.com