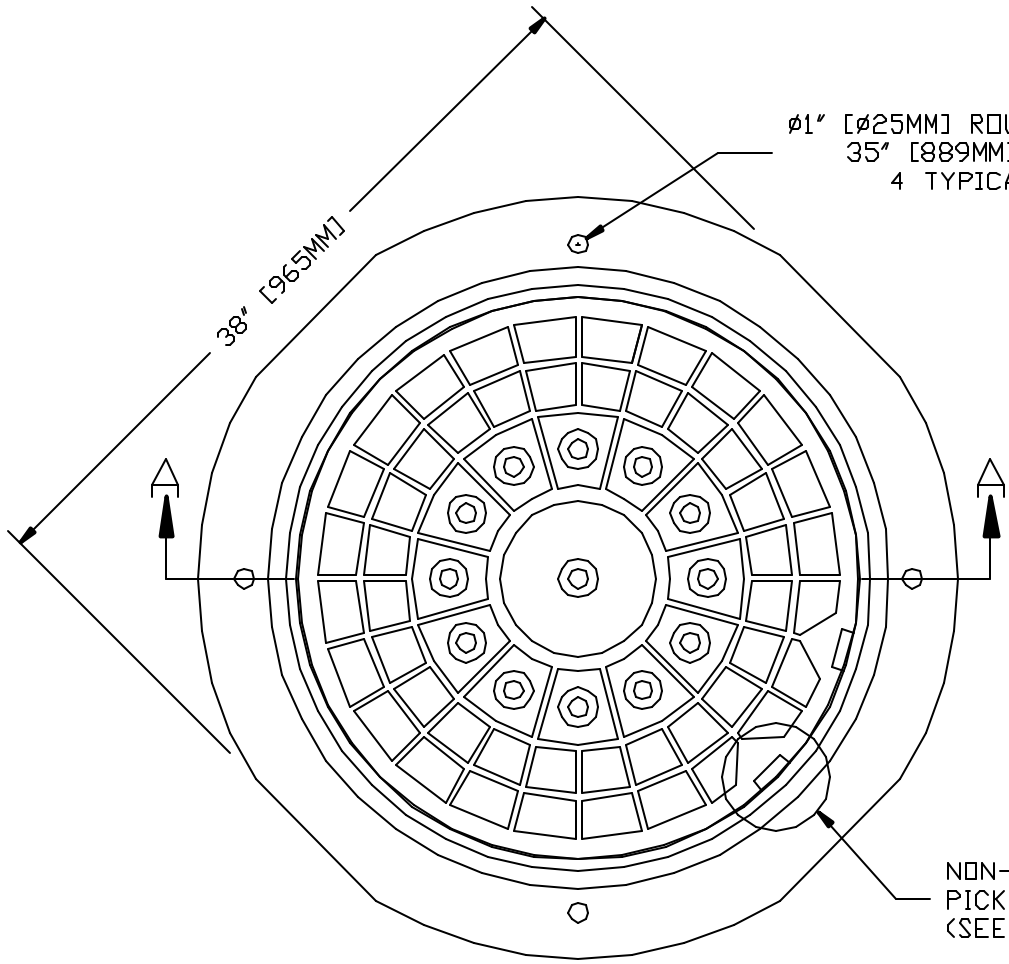


Ø1" [Ø25MM] ROUND HOLE
35" [889MM] C.C.
4 TYPICAL

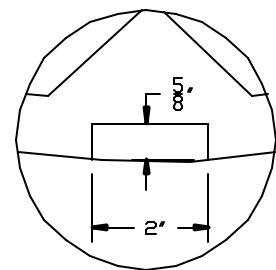
38" [965MM]



NON-PENETRATING
PICKHOLE
(SEE DETAIL)

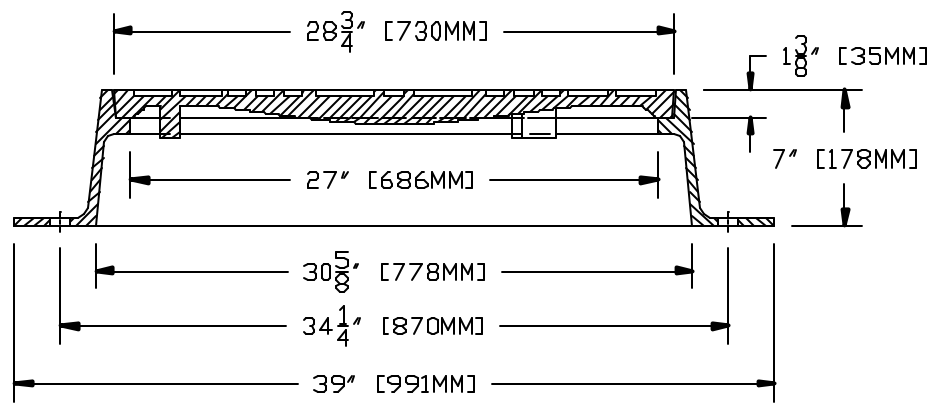
NOTES:

- 1.) MATERIAL SHALL BE GRAY CAST IRON CONFORMING TO A.S.T.M. A48 (LATEST REVISION) CLASS 30B.
- 2.) UNITS DESIGNED HEAVY DUTY FOR A.A.S.H.T.O. HS20-44 WHEEL LOADS.
- 3.) EACH FRAME AND COVER SHALL HAVE MACHINED HORIZONTAL BEARING SURFACES..



NON-PENETRATING
PICKHOLE DETAIL

Parabolic Cover
Patent #5,911,537



SECTION A - A

THIS DOCUMENT IS THE PROPRIETARY PROPERTY OF SYRACUSE CASTINGS. IT HAS BEEN FURNISHED UPON THE CONDITION THAT IT SHALL NOT BE RELEASED, DUPLICATED, USED, OR DISCLOSED IN WHOLE OR IN PART FOR ANY PURPOSE WITHOUT THE EXPRESS WRITTEN PERMISSION OF SYRACUSE CASTINGS AND SHALL BE CONSIDERED CONFIDENTIAL INFORMATION.

Pattern 1030 Cast Iron
Round Flange Frame & Cover

DRAWING # 1030453C-1204561PC

Drawn By: TJM	DATE: 7/23/09	Revised By:	Revised:
---------------	---------------	-------------	----------

Syracuse Castings P.O. Box 1821
6177 South Bay Rd.
Cicero, N.Y. 13039
Better By Design

Phone # 315-699-2601 Fax # 315-699-2982 www.syracast.com