



### Heavy Duty Self Leveling Frame & Cover

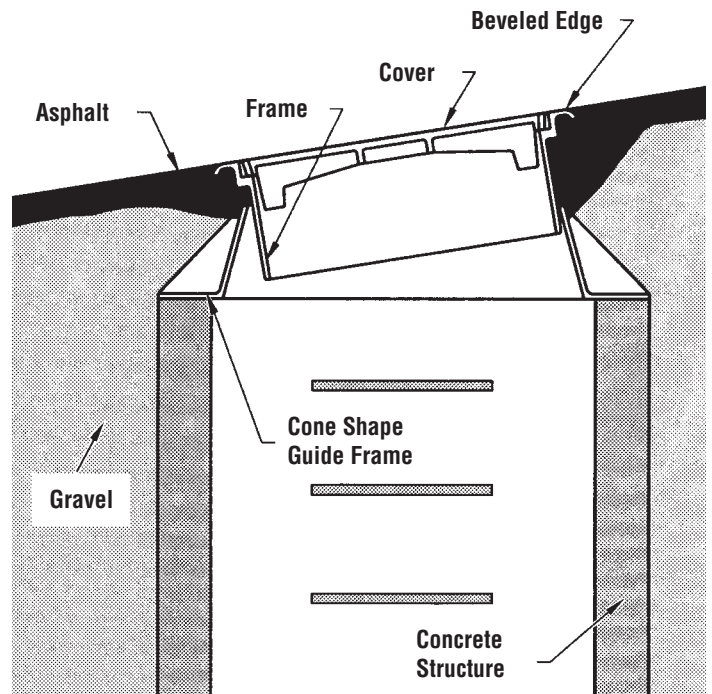


**Advantages:**

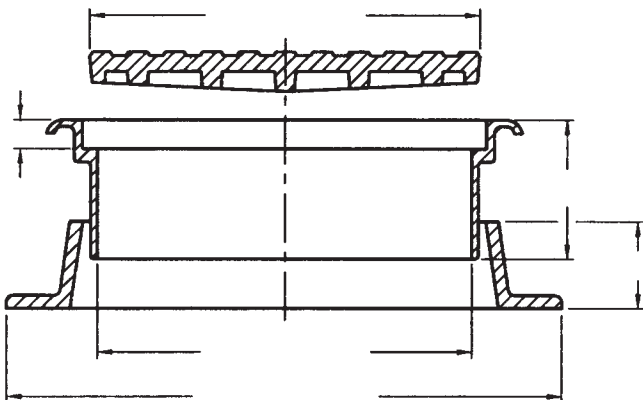
- Offers flexibility and is simpler to adjust on a hill
- Offers stability: it moves with the road
- Eliminates drive-over noise
- Protects and extends the life of the concrete structure
- Reduces costly plow damage
- Height is easy to adjust
- Available in various sizes

The Self Leveling cover is available in a wide range of sizes and is also available as catch basins. Our engineers can also design covers to your exact specifications.

**Reduces repair costs  
which reduces  
lifetime cost!**



Above: Installation of Self Leveling (Cone Shape) Frame on a Hill



**For safer roads and a better driving experience!**

At **Syracuse Castings**, we take a deliberate approach to develop unique, innovative products that are *Better By Design*. When safety, performance and cost are important, **Syracuse Castings** is your choice.

Note: Also available with grate