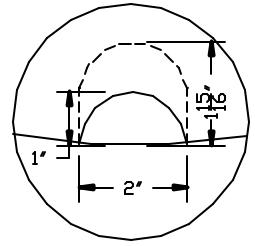


NOTES:

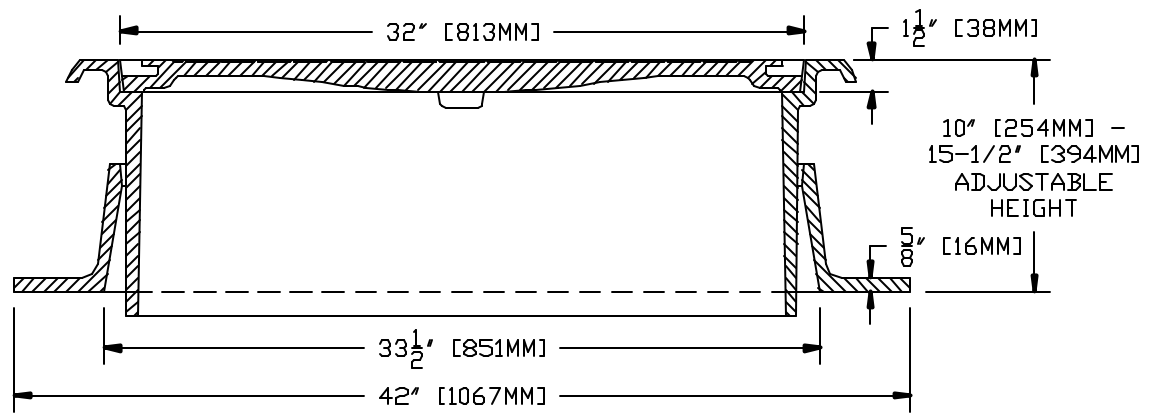
- 1.) MATERIAL FOR GUIDE FRAME AND COVER SHALL BE GRAY CAST IRON CONFORMING TO A.S.T.M. A48 (LATEST REVISION) CLASS 30B.
- 2.) MATERIAL FOR ADJUSTABLE FRAME SHALL BE DUCTILE IRON CONFORMING TO A.S.T.M. A-536 (LATEST REVISION) CLASS 65-45-12.
- 3.) UNITS DESIGNED HEAVY DUTY FOR A.A.S.H.T.O. HS20-44 WHEEL LOADS.
- 4.) ADJUSTABLE FRAME AND COVER SHALL HAVE MACHINED HORIZONTAL BEARING SURFACES.
- 5.) DIMENSIONS ARE APPLIED USING SOFT CONVERSION. ALL DIMENSIONS IN BRACKETS ARE MILLIMETERS.



NON-PENETRATING PICKHOLE (SEE DETAIL)

NON-PENETRATING PICKHOLE DETAIL

PARABOLIC COVER  
PATENT # 5,911,537



SECTION A - A

THIS DOCUMENT IS THE PROPRIETARY PROPERTY OF SYRACUSE CASTINGS. IT HAS BEEN FURNISHED UPON THE CONDITION THAT IT SHALL NOT BE RELEASED, DUPLICATED, USED, OR DISCLOSED IN WHOLE OR IN PART FOR ANY PURPOSE WITHOUT THE EXPRESS WRITTEN PERMISSION OF SYRACUSE CASTINGS AND SHALL BE CONSIDERED CONFIDENTIAL INFORMATION.

#1016 Self Leveling Frame  
and #1016500PC Cover  
"PLAIN"

DRAWING # 092002-A  
FILE # 10164908-10164958-1016500PC  
Drawn By: ARO DATE: 09/20/02 Revised By: ARO Revised: 01/27/03

**Syracuse Castings**  
*Better By Design*

P.O. Box 1821  
6177 South Bay Rd.  
Cicero, N.Y. 13039

Phone # 315-699-2601 Fax # 315-699-2982 www.syracast.com