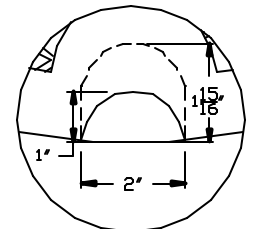


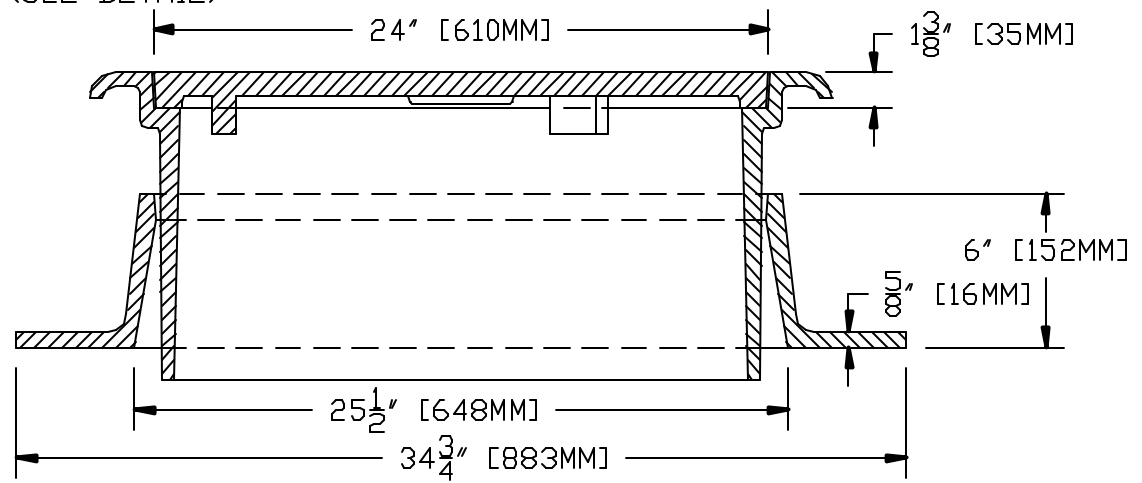
NOTES:

- 1.) GUIDE FRAME AND COVER MATERIAL SHALL BE GRAY CAST IRON CONFORMING TO A.S.T.M. A48 (LATEST REVISION) CLASS 30B.
- 2.) ADJUSTABLE FRAME SHALL BE DUCTILE IRON CONFORMING TO A.S.T.M. A536 65-45-12
- 3.) DIMENSIONS ARE APPLIED USING SOFT CONVERSION. ALL DIMENSIONS IN BRACKETS ARE MILLIMETERS.

NON-PENETRATING PICKHOLE (SEE DETAIL)



NON-PENETRATING PICKHOLE DETAIL



SECTION A - A

THIS DOCUMENT IS THE PROPRIETARY PROPERTY OF SYRACUSE CASTINGS. IT HAS BEEN FURNISHED UPON THE CONDITION THAT IT SHALL NOT BE RELEASED, DUPLICATED, USED, OR DISCLOSED IN WHOLE OR IN PART FOR ANY PURPOSE WITHOUT THE EXPRESS WRITTEN PERMISSION OF SYRACUSE CASTINGS AND SHALL BE CONSIDERED CONFIDENTIAL INFORMATION.

#1007 SELF LEVELING FRAME AND COVER
"PLAIN"

DRAWING # 092002-B			
FILE # 1007495-1007491-1007869PC			
Drawn By: ARO	DATE: 09/20/02	Revised By: ARO	Revised: 01/27/03



Syracuse Castings
Better By Design

P.O. Box 1821
6177 South Bay Rd.
Cicero, N.Y. 13039

Phone # 315-699-2601 Fax # 315-699-2982 www.syracast.com