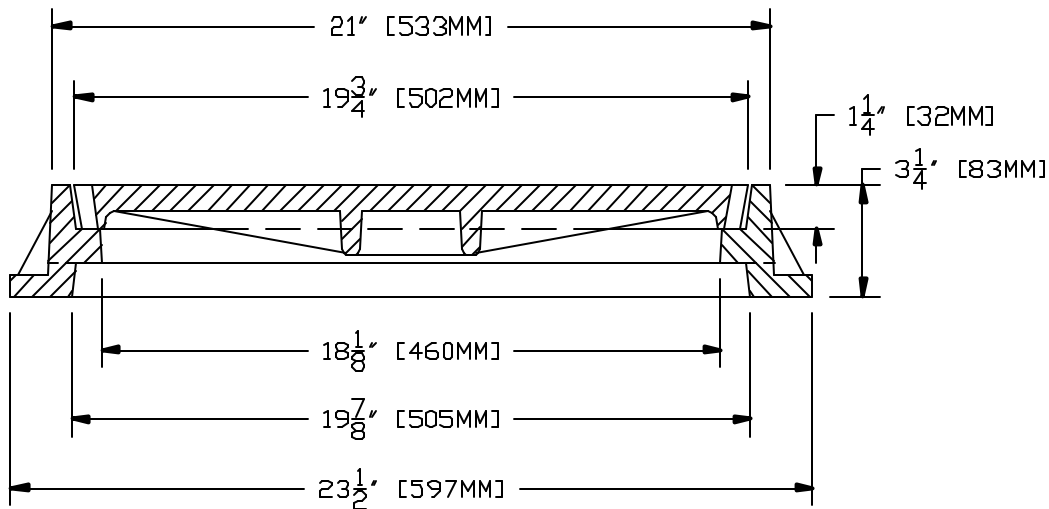


1/2" x 1"
PENETRATING
PICKHOLE

NOTES:

1.) MATERIAL SHALL BE
GRAY CAST IRON
CONFORMING TO A.S.T.M.
A48 (LATEST REVISION)
CLASS 30B.

2.) UNITS DESIGNED
HEAVY DUTY FOR
A.A.S.H.T.O. HS20-44 WHEEL
LOADS.



SECTION A - A

THIS DOCUMENT IS THE PROPRIETARY PROPERTY OF SYRACUSE CASTINGS. IT HAS BEEN FURNISHED UPON THE CONDITION THAT IT SHALL NOT BE RELEASED, DUPLICATED, USED, OR DISCLOSED IN WHOLE OR IN PART FOR ANY PURPOSE WITHOUT THE EXPRESS WRITTEN PERMISSION OF SYRACUSE CASTINGS AND SHALL BE CONSIDERED CONFIDENTIAL INFORMATION

Pattern 1335 Cast Iron
Pull Box Frame & Cover

DRAWING # 1335425C-1335065C

Drawn By: TJM

DATE: 7/27/09

Revised By:

Revised:



Syracuse Castings
Better By Design

P.O. Box 1821
6177 South Bay Rd.
Cicero, N.Y. 13039

Phone # 315-699-2601 Fax # 315-699-2982 www.syracast.com