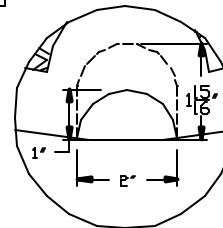


NON-PENETRATING PICKHOLE
(SEE DETAIL)

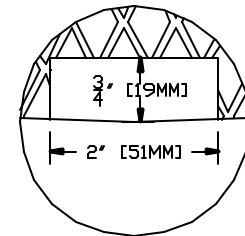
NON-PENETRATING PICKHOLE
(SEE DETAIL)

NOTES:

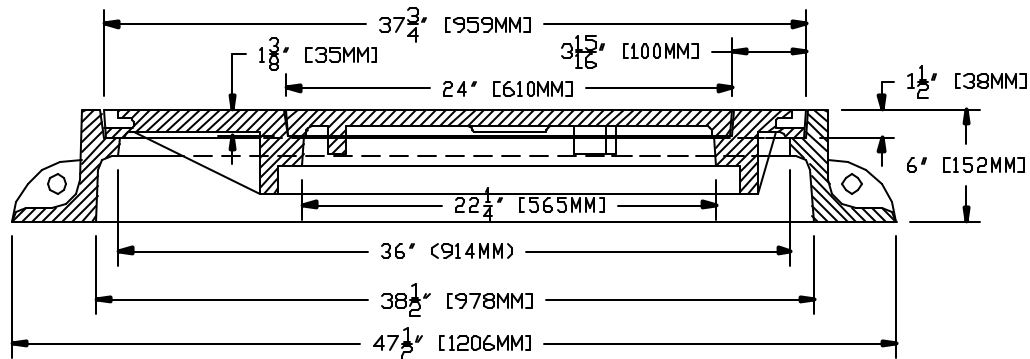
- 1.) MATERIAL SHALL BE GRAY CAST IRON CONFORMING TO A.S.T.M. A48 (LATEST REVISION) CLASS 30B.
- 2.) UNITS DESIGNED HEAVY DUTY FOR A.A.S.H.T.O. HS20-44 WHEEL LOADS.
- 3.) EACH FRAME AND COVER SHALL HAVE MACHINED HORIZONTAL BEARING SURFACES.



NON-PENETRATING PICKHOLE DETAIL



NON-PENETRATING PICKHOLE DETAIL



SECTION A - A

THIS DOCUMENT IS THE PROPRIETARY PROPERTY OF SYRACUSE CASTINGS. IT HAS BEEN FURNISHED UPON THE CONDITION THAT IT SHALL NOT BE RELEASED, DUPLICATED, USED, OR DISCLOSED IN WHOLE OR IN PART FOR ANY PURPOSE WITHOUT THE EXPRESS WRITTEN PERMISSION OF SYRACUSE CASTINGS AND SHALL BE CONSIDERED CONFIDENTIAL INFORMATION.

Pattern 4454 Cast Iron
Frame, Cover & Access Cover

DRAWING # 2012037C-4429700-1007B69PC

Drawn By: TJM

DATE: 7/23/09

Revised By:

Revised:



Syracuse Castings

Better By Design

P.O. Box 1821
6177 South Bay Rd.
Cicero, N.Y. 13039

Phone # 315-699-2601 Fax # 315-699-2982 www.syracast.com