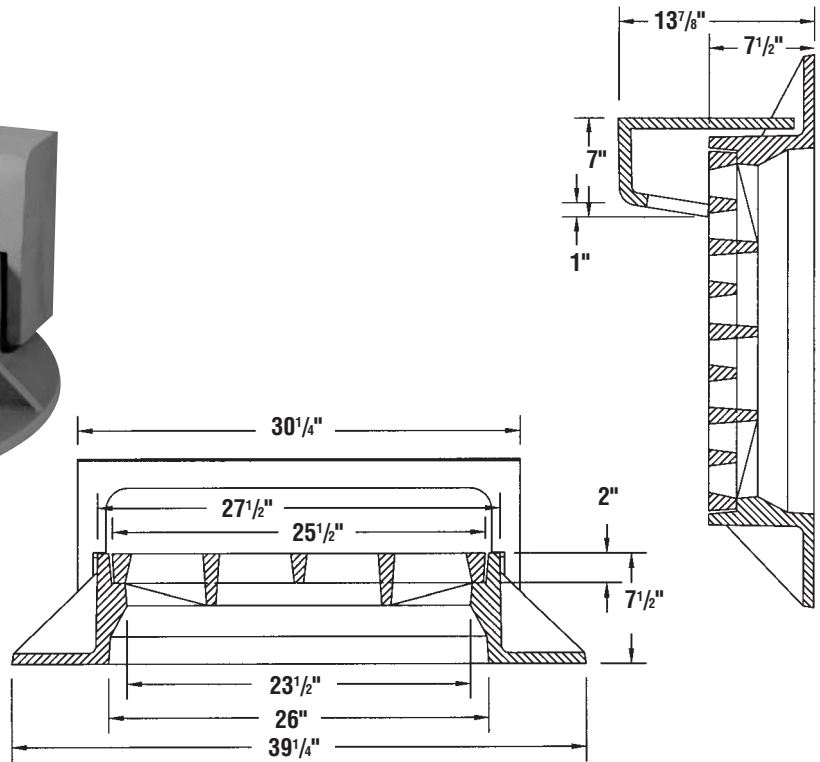




Heavy Duty Adjustable Curb Type Inlet

Pattern Number 2627 with Optional Curb



Pattern Number 2616CB

