

Style 'DT-HDAOSG' access hatch, as manufactured by Syracuse Castings, Cicero, NY 315-699-2601.

Material shall be 6061-T6 aluminum for bars, angles, and extrusions. 1/4" diamond plate shall be 5086 aluminum.

Unit designed heavy duty, for H-20 wheel loads, where not subject to high density traffic. Channel frame and bearing plate must be cast into and supported by concrete.

Each grate shall be supplied with a heavy duty, stainless steel pneu-spring, for ease of operation when opening. Grate shall be counterbalanced, so one person can easily open the safety grate. Spring design shall accommodate ease of maintenance.

Each door and grate shall be equipped with a grade 316 stainless steel hold open arm. Door and grate shall lock open in the 90 degree position. Hold open arm shall be fastened to the frame with a 1/2" grade 316 stainless steel bolt.

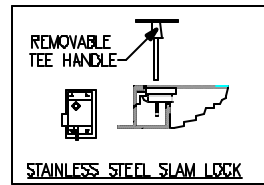
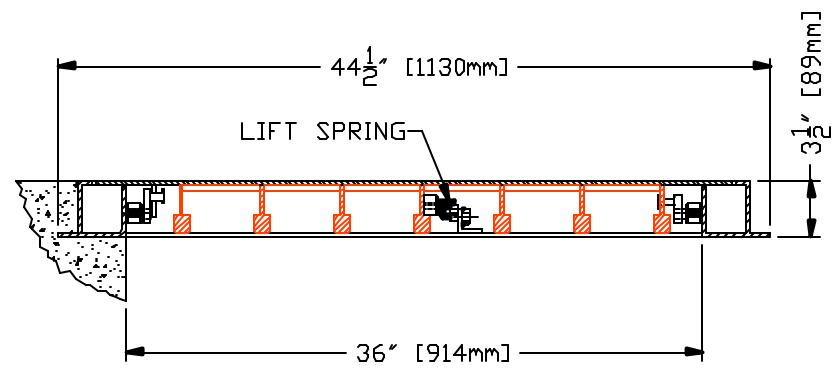
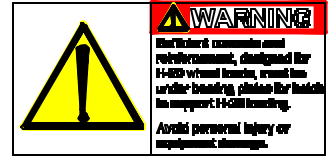
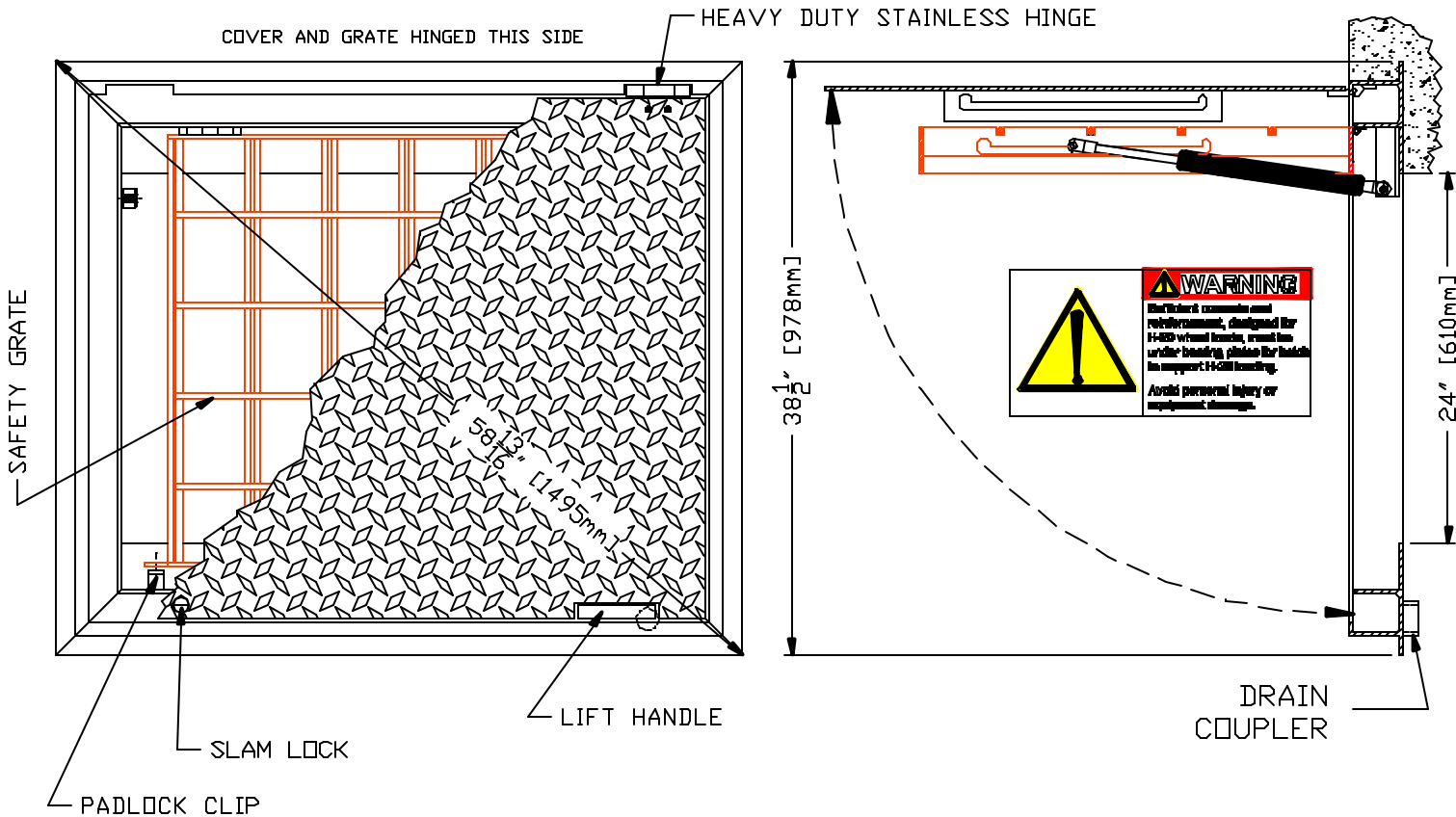
Channel frame shall be of extruded aluminum, with a continuous 1-1/4" anchor flange.

Each 'DT-HDAOSG' style hatch is supplied with a 1-1/2" threaded drain coupler on underside of channel frame for pipe connection.

Each hatch shall be supplied with a grade 316 stainless steel slam lock, with key way protected by a threaded removable plug. Plug shall be flush with the top of the 1/4" diamond plate. Slam lock shall be fastened with four grade 316 stainless steel bolts and washers.

Each hatch shall be equipped with an aluminum lift handle. The lift handle shall be flush with the top of the 1/4" diamond plate.

Unit shall be supplied with a hinged safety grate to provide protection against fall through and to control access to the confined space.



THIS DOCUMENT IS THE PROPRIETARY PROPERTY OF SYRACUSE CASTINGS. IT HAS BEEN FURNISHED UPON THE CONDITION THAT IT SHALL NOT BE RELEASED, DUPLICATED, USED, OR DISCLOSED IN WHOLE OR IN PART FOR ANY PURPOSE WITHOUT THE EXPRESS WRITTEN PERMISSION OF SYRACUSE CASTINGS AND SHALL BE CONSIDERED CONFIDENTIAL INFORMATION.

DT-3HDAOSG H-20 Rated 24" x 36" Aluminum Hatch With Safety Grate System

DRAWING # DT-3HDAOSG

Drawn By: TJM DATE: 8/21/09 Revised By: Revised:



Syracuse Castings P.O. Box 1821
6177 South Bay Rd.
Cicero, N.Y. 13039
Better By Design

Phone # 315-699-2601 Fax # 315-699-2982 www.syracast.com