

Style "DT-AOSG" access hatch as manufactured by Syracuse Castings, Cicero, NY 315-699-2601.

Material shall be 6061-T6 aluminum for bars, angles, and extrusions. 1/4" diamond plate shall be 5086 aluminum. Exterior of frame which comes in contact with concrete shall have one coat black paint.

Unit designed pedestrian rated for a minimum live load of 300 lbs/sq.ft.

Door shall be equipped with a hold open arm. Door shall lock open in the 90 degree position. Hold open arm shall be fastened to the frame with a 1/2" grade 316 stainless steel bolt.

Channel frame shall be of extruded aluminum, with a continuous 1-1/4" anchor flange. Channel frame shall be a minimum of 1/4" thick, with a cross section of 7.5".

Cover hinges shall be of heavy duty design. Material shall be grade 316 stainless steel. Each hinge shall have a grade 316 stainless steel, 3/8" diameter hinge pin. Hinge shall be fastened to frame and diamond plate with grade 316 stainless steel bolts and ny-lock nuts.

All hardware shall be stainless steel.

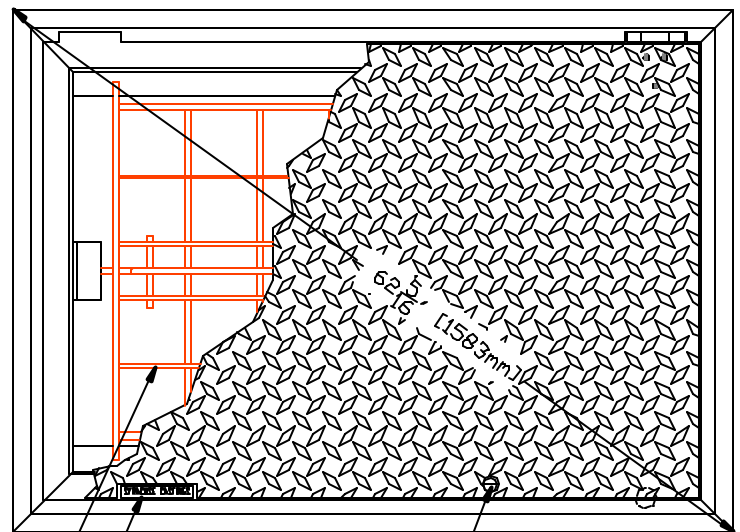
Each hatch shall be supplied with a grade 316 stainless steel slam lock, with key way protected by a threaded plug. Plug shall be flush with the top of the 1/4" diamond plate. Slam lock shall be fastened with four grade 316 stainless steel bolts and washers.

Each hatch shall be equipped with an aluminum lift handle. The lift handle shall be flush with the top of the 1/4" diamond plate.

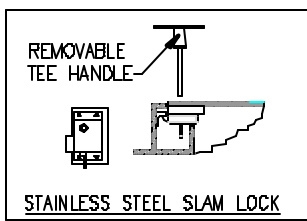
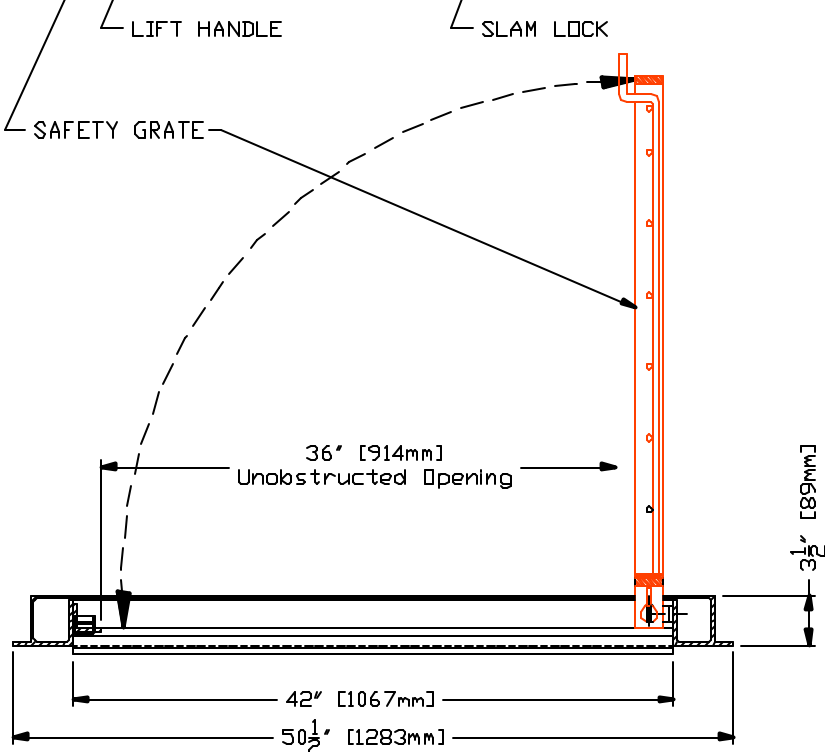
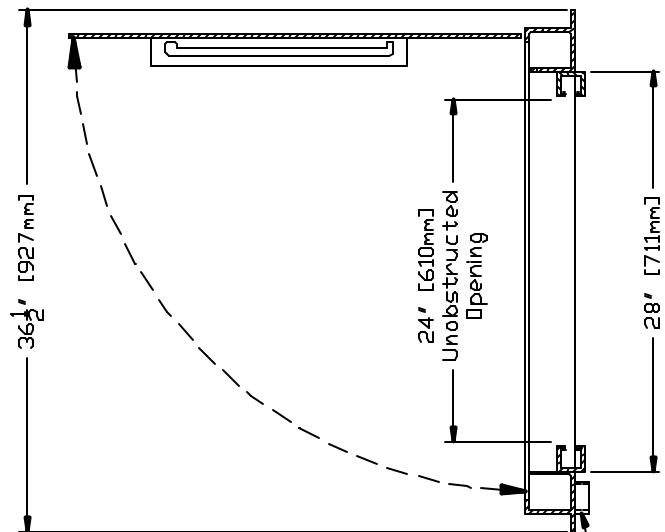
Each "DT-AOSG" style hatch shall be supplied with a 1-1/2" threaded drain coupler on the underside of channel frame for pipe connection.

Units shall be supplied with hinged safety grates to provide protection against fall through and to control access to the confined space.

COVER HINGED THIS SIDE



SAFETY GRATE HINGED THIS SIDE



THIS DOCUMENT IS THE PROPRIETARY PROPERTY OF SYRACUSE CASTINGS. IT HAS BEEN FURNISHED UPON THE CONDITION THAT IT SHALL NOT BE RELEASED, DUPLICATED, USED, OR DISCLOSED IN WHOLE OR IN PART FOR ANY PURPOSE WITHOUT THE EXPRESS WRITTEN PERMISSION OF SYRACUSE CASTINGS AND SHALL BE CONSIDERED CONFIDENTIAL INFORMATION.

**DT-3AOSG Pedestrian Rated 24" x 36" Aluminum Hatch With Safety Grate System**

DRAWING # DT-3AOSG

Drawn By: TJM      DATE: 8/6/09      Revised By:      Revised:

P.O. Box 1821  
6177 South Bay Rd.  
Cicero, N.Y. 13039

Phone # 315-699-2601      Fax # 315-699-2982      www.syracast.com