

Style "CHD" access hatch, as manufactured by Syracuse Castings, Cicero, NY 315-699-2601.

Material shall be 6061-T6 aluminum for bars, angles, and extrusions. 1/4" diamond plate shall be 5086 aluminum.

Design of each access hatch shall conform to OSHA standard 1910.23.

Unit designed pedestrian rated, for a minimum live load of 300 lbs./sq. ft.

Each door shall be supplied with a heavy duty stainless steel pneu-spring, for ease of operating when opening cover. Cover shall be counterbalanced, so one person can easily open the hatch door. Spring design shall accommodate ease of maintenance.

Hinges shall be of heavy duty design. Material shall be grade 316 stainless steel. Each hinge shall have a grade 316 stainless steel, 3/8" diameter pin. Hinges shall be fastened to the channel frame and diamond plate using grade 316 stainless steel bolts and ny-lock nuts.

Each door shall be equipped with a stainless steel hold open arm. Door shall lock open in the 90 degree position. Hold open arm shall be fastened to the frame with a 1/2" grade 316 stainless steel bolt.

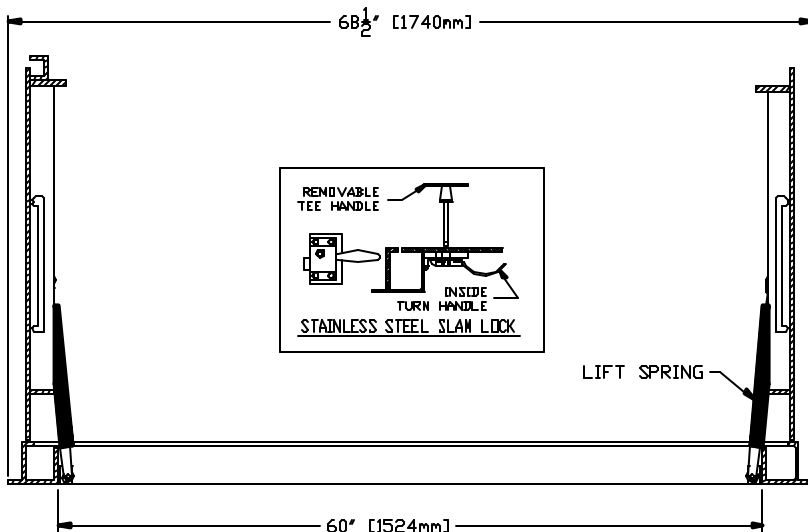
Channel frame shall be of extruded aluminum, with a continuous 1-1/4" anchor flange. Frame shall have a dove tail groove to accept a 1/8" silicone cushion gasket. Channel frame shall be a minimum of 1/4" thick, with a minimum cross section of 75'.

Each "CHD" style hatch is supplied with a 1-1/2" threaded drain coupler on underside of channel frame for pipe connection.

All hardware shall be stainless steel.

Each hatch shall be supplied with a grade 316 stainless steel slam lock, with key way projected by a threaded plug. Plug shall be flush with the top of the 1/4" diamond plate. Slam lock shall be fastened with four grade 316 stainless steel bolts and washers.

Each door shall be equipped with an aluminum lift handle. The lift handle shall be flush with the top of the 1/4" diamond plate.



THIS DOCUMENT IS THE PROPRIETARY PROPERTY OF SYRACUSE CASTINGS. IT HAS BEEN FURNISHED UPON THE CONDITION THAT IT SHALL NOT BE RELEASED, DUPLICATED, USED, OR DISCLOSED IN WHOLE OR IN PART FOR ANY PURPOSE WITHOUT THE EXPRESS WRITTEN PERMISSION OF SYRACUSE CASTINGS AND SHALL BE CONSIDERED CONFIDENTIAL INFORMATION.

CHD-13AL Pedestrian Rated 60" x 60"  
Double Leaf Aluminum Hatch

DRAWING # CHD-13AL

Drawn By: TJM

DATE: 8/19/09

Revised By:

Revised:



**Syracuse Castings**

*Better By Design*

P.O. Box 1821  
6177 South Bay Rd.  
Cicero, N.Y. 13039

Phone # 315-699-2601 Fax # 315-699-2982 www.syracast.com