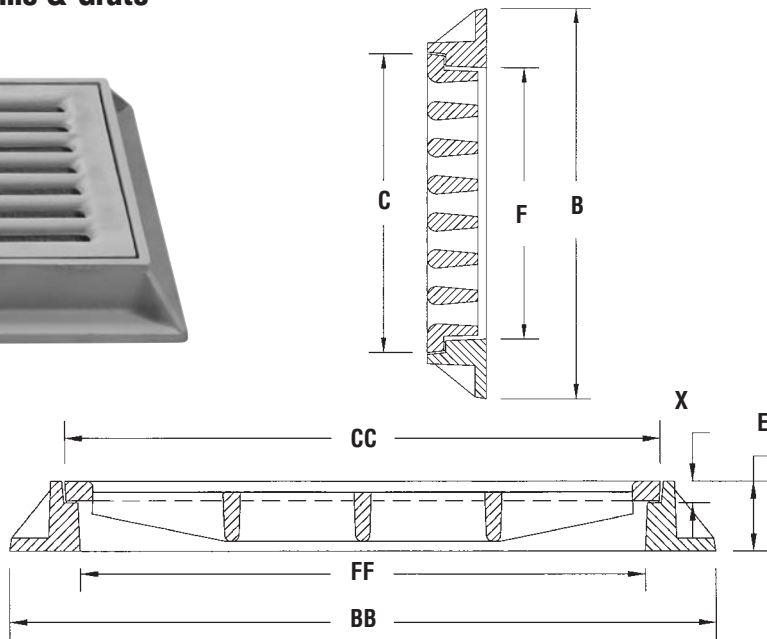
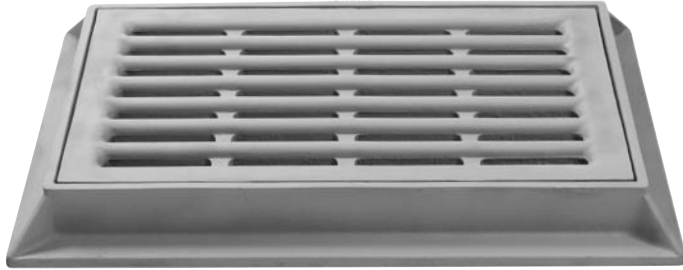


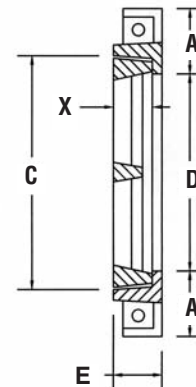
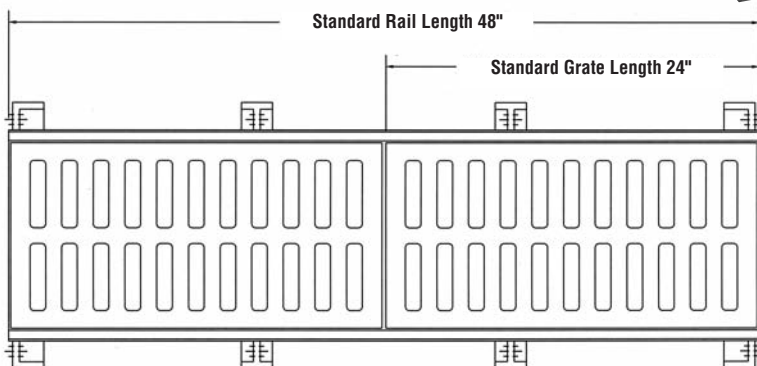
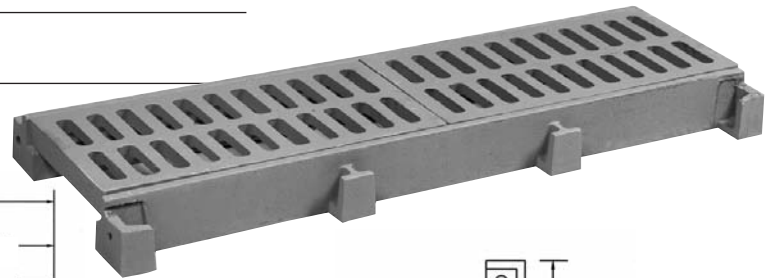


Heavy Duty Rectangular Stream Flow Frame & Grate



Pattern Number	B	C	E	F	X	BB	CC	FF
3402C	28	21 ³ / ₄	5	19 ¹ / ₂	1 ¹ / ₄	54	47 ³ / ₄	45 ¹ / ₂
3408C	36	30	5	30 ¹ / ₄	1 ¹ / ₄	55 ¹ / ₂	49 ¹ / ₄	49 ¹ / ₂
3430A	26 ¹ / ₂	20 ¹ / ₄	4	18 ³ / ₈	1 ¹ / ₄	40 ¹ / ₂	34 ¹ / ₈	32 ³ / ₈

Heavy Duty Rectangular Trench Frame & Grate



Pattern Number	A	C	D	E	X
4526	3 ³ / ₄	11 ³ / ₄	10	2 ¹ / ₂	2
4526A	3 ³ / ₄	14	12	2 ¹ / ₂	2

Transverse trench available upon request.