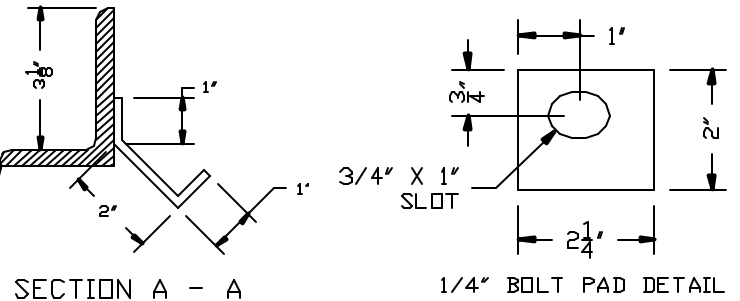


NOTES:

- 1.) MATERIAL: DOMESTIC (USA) STEEL - A.S.T.M. A36 OR GRADE 1011.
- 2.) GRATES AND FRAME RAILS TO BE HOT-DIP GALVANIZED PER A.S.T.M. A123.
- 3.) UNIT DESIGNED FOR HS-20 WHEEL LOADS.
- 4.) FABRICATED PER N.Y.S. STANDARD SHEET M604-1.



THIS DOCUMENT IS THE PROPRIETARY PROPERTY OF SYRACUSE CASTINGS. IT HAS BEEN FURNISHED UPON THE CONDITION THAT IT SHALL NOT BE RELEASED, DUPLICATED, USED, OR DISCLOSED IN WHOLE OR IN PART FOR ANY PURPOSE WITHOUT THE EXPRESS WRITTEN PERMISSION OF SYRACUSE CASTINGS AND SHALL BE CONSIDERED CONFIDENTIAL INFORMATION.

TRANSVERSE TRENCH GRATE
WITH TWO FRAME RAILS
FOR PRECAST CONCRETE TRENCH

DRAWING # 052101-A

FILE # M604-1F&G

Drawn By: ARO

DATE: 04/09/02

Revised By: DM

Revised: 08/21/08



Syracuse Castings
Better By Design

P.O. Box 1821
6177 South Bay Rd.
Cicero, N.Y. 13039

Phone # 315-699-2601 Fax # 315-699-2982 www.syracast.com