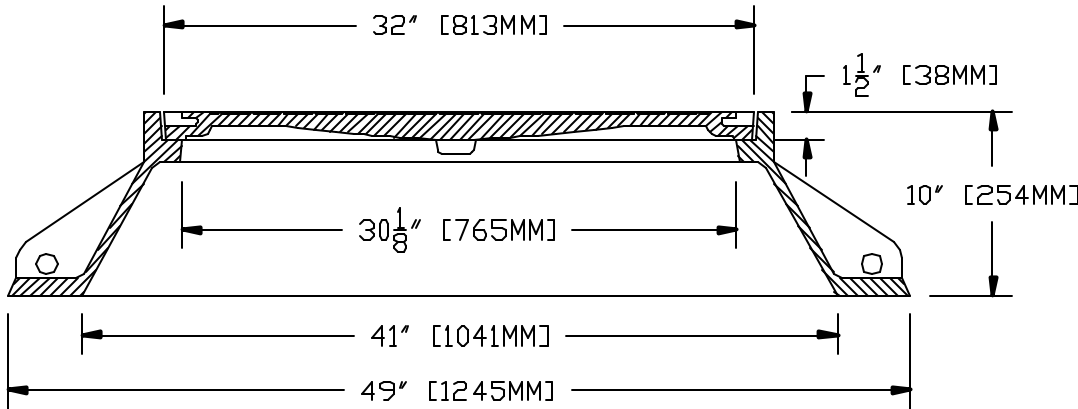


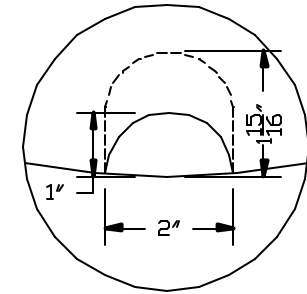
NON-PENETRATING  
PICKHOLE  
(SEE DETAIL)



SECTION A - A

NOTES:

- 1.) MATERIAL SHALL BE GRAY CAST IRON CONFORMING TO A.S.T.M. A48 (LATEST REVISION) CLASS 30B.
- 2.) UNITS DESIGNED HEAVY DUTY FOR A.A.S.H.T.O. HS20-44 WHEEL LOADS.
- 3.) EACH FRAME AND COVER SHALL HAVE MACHINED HORIZONTAL BEARING SURFACES.



NON-PENETRATING  
PICKHOLE DETAIL  
Parabolic Cover  
Patent #5,911,537

THIS DOCUMENT IS THE PROPRIETARY PROPERTY OF SYRACUSE CASTINGS. IT HAS BEEN FURNISHED UPON THE CONDITION THAT IT SHALL NOT BE RELEASED, DUPLICATED, USED, OR DISCLOSED IN WHOLE OR IN PART FOR ANY PURPOSE WITHOUT THE EXPRESS WRITTEN PERMISSION OF SYRACUSE CASTINGS AND SHALL BE CONSIDERED CONFIDENTIAL INFORMATION.

Pattern 1206 Cast Iron  
Round Flange Frame & Cover

DRAWING # 1206450C-1016500PC

Drawn By: TJM	DATE: 7/23/09	Revised By:	Revised:
---------------	---------------	-------------	----------

	<b>Syracuse Castings</b> <i>Better By Design</i>	P.O. Box 1821 6177 South Bay Rd. Cicero, N.Y. 13039
	Phone # 315-699-2601 Fax # 315-699-2982 www.syracast.com	