



**Syracuse Castings**

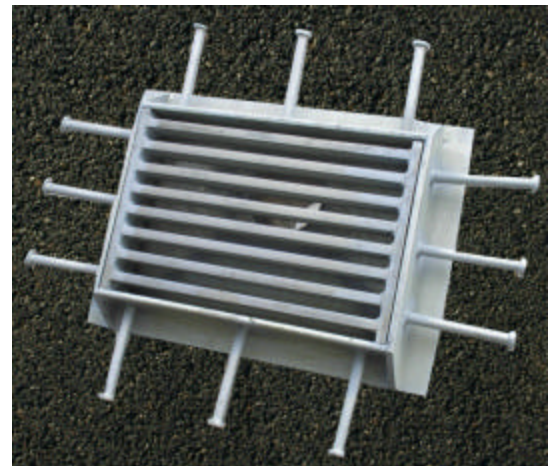
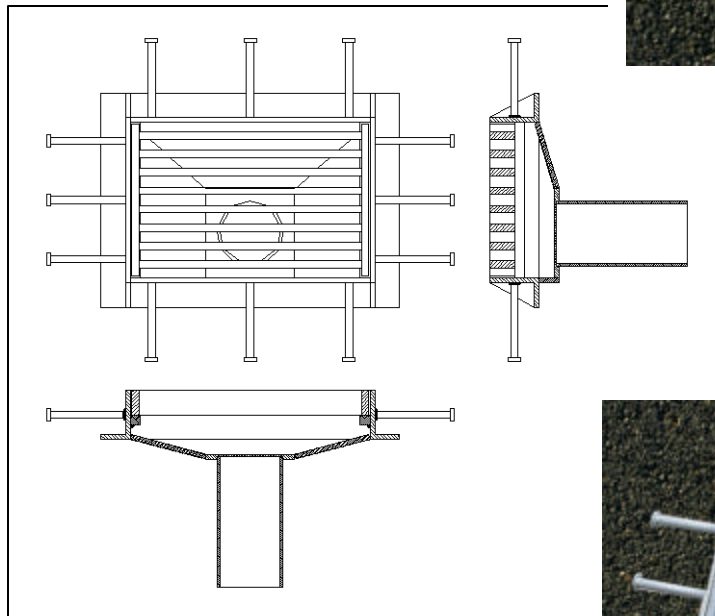
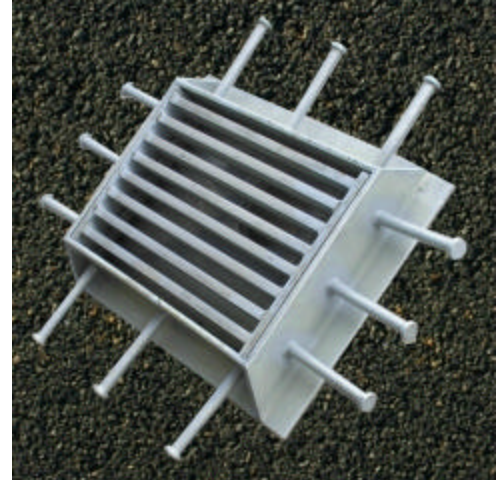
*Better By Design*

CREATING A SAFER PUBLIC

**CONSTRUCTION  
PRODUCTS**

## Bridge Scuppers

Contact us with your Bridge  
Drainage requirements



Contact Brian Steitz at 315-505-6877 or via e-mail: [cad@syracast.com](mailto:cad@syracast.com)  
For CAD drawings and Specifications